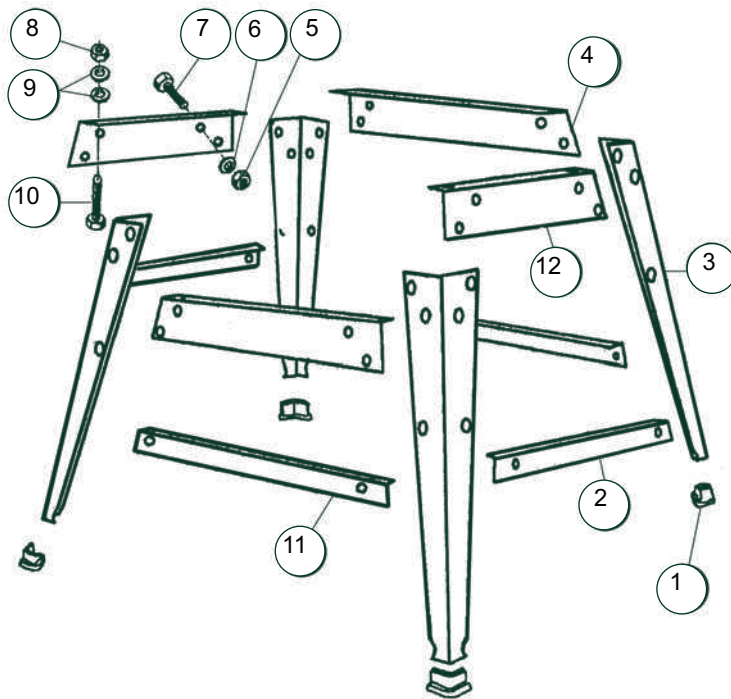


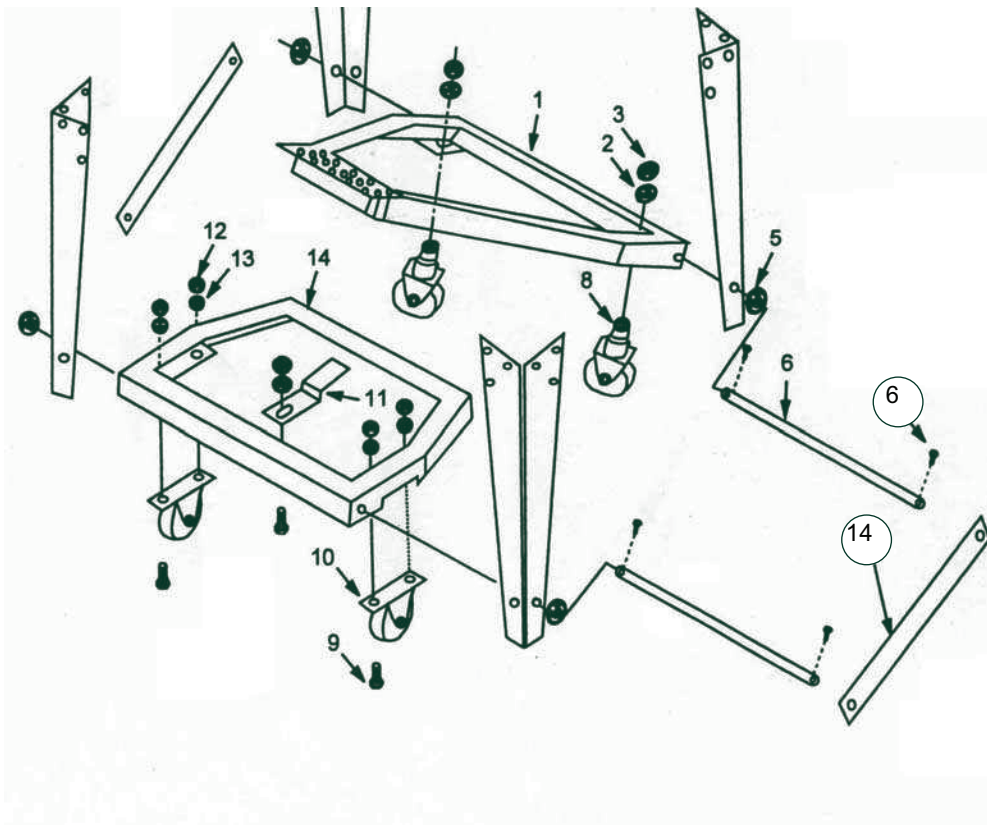
11. Diagrams & Components

Stand

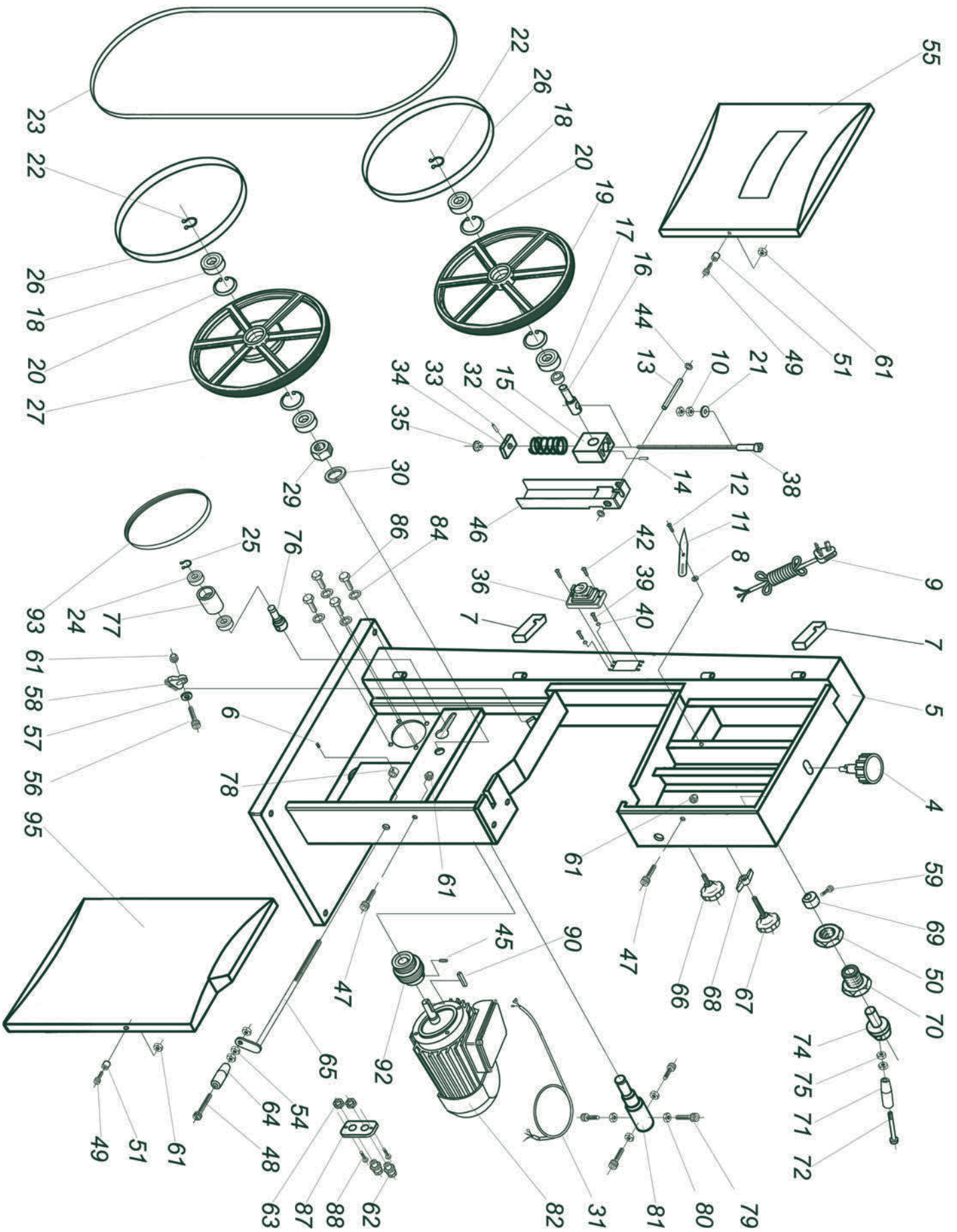


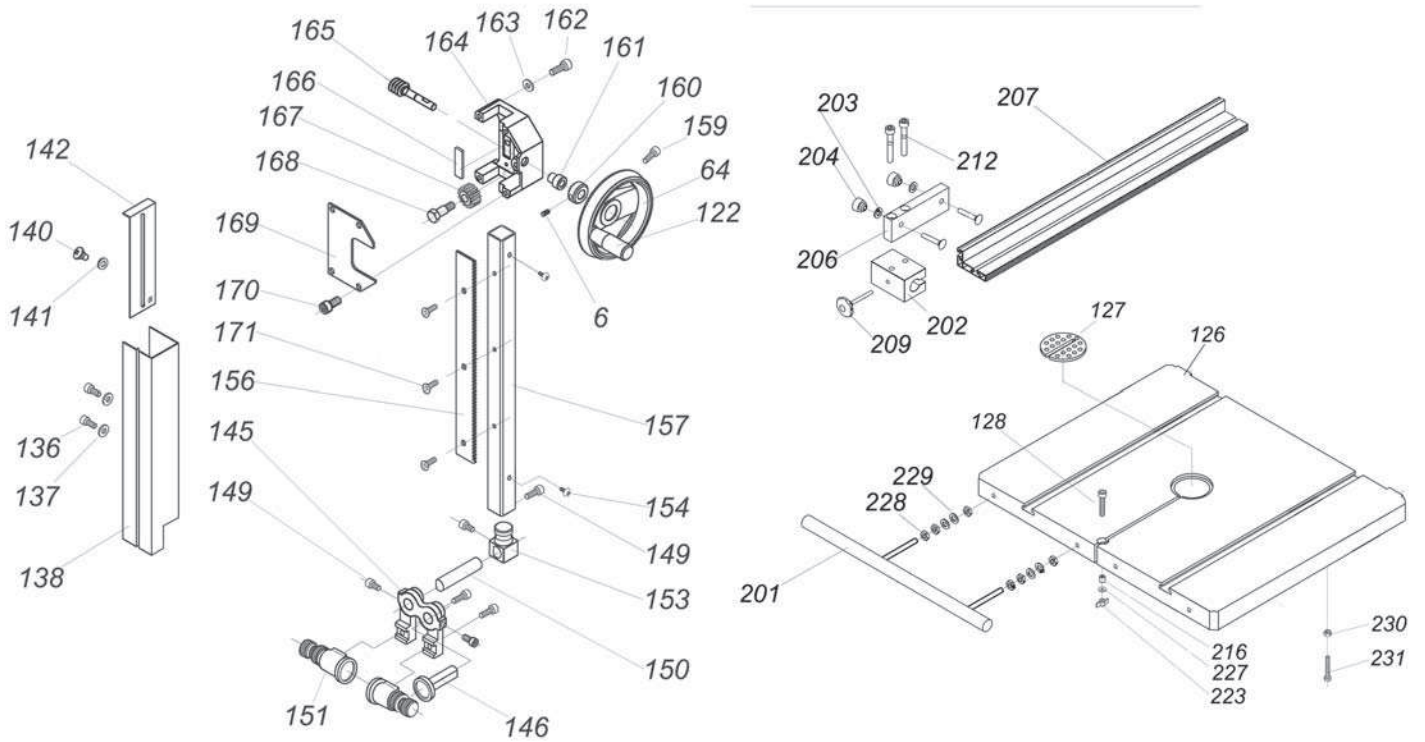
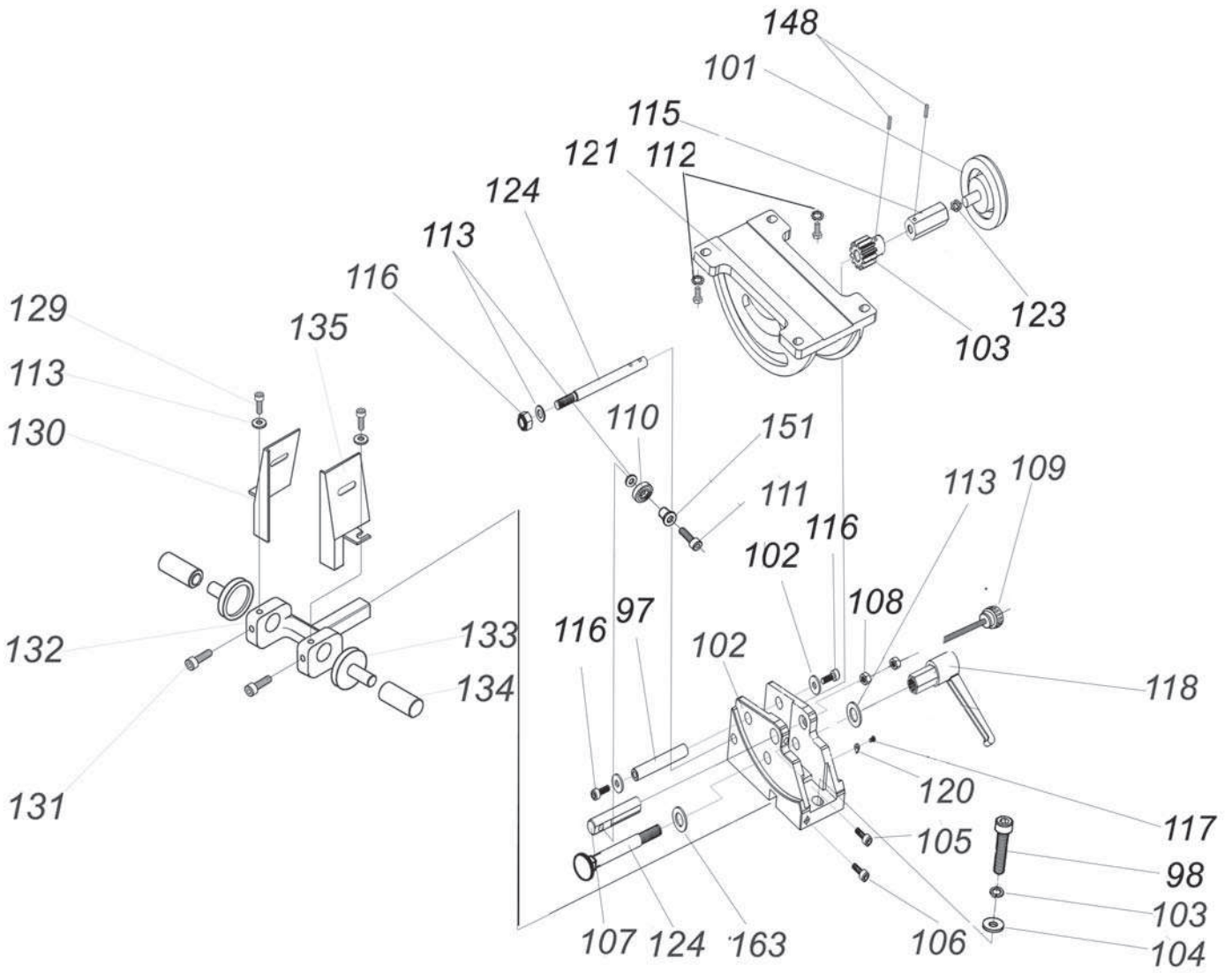
Ref No.	Description
1	Rubber shoe
2	Short mid brace support
3	Leg
4	Long top brace support
5	Hex nut
6	Washer
7	Hex bolt
8	Hex nut
9	Washer
10	Hex bolt
11	Long mid brace support
12	Short top brace support

Wheel Kit



Ref No.	Description
1	Pedal
2	Flat washer 10mm
3	Hex nut M10
4	Washer 10mm
5	Axle
6	Fixing pin
7	Castor wheel
8	Hex screw M8X20
9	Fixed wheel
10	Release pedal
11	Hex nut M8
12	Flat washer 8mm
13	Operating frame
14	Brace support bar





12. Parts List

Ref No.	Description	Ref No.	Description
4	Blade tension knob	61	Nylon nut M6-1.0
5	Frame	62	Strain relief
6	Set screw M5-0.8x10	63	Strain relief nut
7	Safety switch	64	Crank handle
8	Flat washer M5	65	Crank
9	Power cord	66	Guide post lock knob
10	Hex nut M8-1.25	67	Blade tracking knob
11	Pointer	68	Wing nut M8
12	Step screw	69	Cam
13	Upper shaft	70	Pillow block
14	Roll Pin 5x36	71	Quick release handle
15	Upper wheel shaft hinge	72	Cap screw
16	Upper wheel shaft	74	Quick release lever seat
17	Bushing	75	Hex nut
18	Wheel Bearing	76	Sliding shaft
19	Upper wheel	77	Tension wheel
20	Int retaining ring M40	78	Set collar 10mm
21	Flat washer M8	79	Hex screw
22	Circlip ring	80	Hex nut
23	Saw blade	81	Lower wheel shaft
24	Grooved ball bearing 80101	81	Motor
25	Circlip ring 12x1	84	Lock washer M8
26	Bandwheel tyre	86	Hex screw
27	Lower wheel	87	Strain relief plate
29	Hex nut M27x2	88	Pan head screw
30	Lock washer 27	90	Key 5x5x35
31	Motor cord	92	Motor pulley
32	Spring	93	V-belt
33	Roll pin 3x16	95	Lower wheel cover
34	Block	96	Bushing
35	Bearing 51201	97	Hex socket screw M8-1.25x35
36	Switch	98	Hex socket screw M8-1.25x25
38	Adjusting rod	99	Hex nut M8
39	Pan head screw	100	Small gear
40	Star washer M5	101	Table tilt knob
42	Pan head screw	102	Trunnion support bracket
44	Hex bolt M8-1.25x16	103	Lock washer M8
45	Set screw	104	Flat washer M8
46	Slide	105	Hex socket screw M6-1.0x20
47	Hex bolt M6-1.0x25	106	Hex socket screw M6-1.0x50
48	Cap screw M6x55	107	Hollow block
49	Hex socket screw M6-1.0x20	108	Hex nut M6-1.0
50	Hex nut	109	Adjustment bolt M6-1.0
51	Bushing	110	Bearing 6201
54	Hex nut	111	Hex socket screw M8-1.25x25
55	Upper wheel cover	112	Flat washer M8
56	Hex bolt M6-1.0x25	113	Flat washer M6
57	Flat washer M6	114	Pan head screw
58	Brush	115	Table tilting shaft
59	Hex bolt M6-1.0x25	116	Nylon nut
60	Star knob	117	Pan head screw

Ref No.	Description
118	Lock handle
119	Flat washer M5
120	Pointer
121	Trunnion
122	Guide post handwheel handle
123	Hex nut
124	Carriage bolt M6-1.0x65
126	Table
127	Table insert
128	Hex socket screw M6-1.0x50
129	Hex socket screw
130	Left cover
131	Hex socket screw
132	Lower blade guide support
133	Lock washer
134	Shaft
135	Right cover
136	Hex bolt
137	Flat washer
138	Protective cover
140	Step screw
141	Flat washer
142	Sliding plate
145	Upper blade guide bracket
146	Blade support shaft
148	Pin
149	Hex socket screw
150	Adjust bar
151	Pin
153	Upper guide support block
154	Pan head screw
156	Rack
157	Upper guide hose
159	Hex socket screw
160	Bushing
161	Bushing
162	Cap screw M6-1.0x16
163	Spring washer 6
164	Guide bracket
165	Worm cylinder
166	Fixed plate
167	Gear
168	Fixed bolt
169	Cover
170	Hex bolt M8-1.25x16
171	Pan head screw
201	Fence rail
202	Fence seat
203	Washer
204	Knob

Ref No.	Description
206	Bracket
207	Rip fence
209	Lock knob
212	Carriage bolt M6x35
216	Bush
217	Lower bracket
223	Wing nut
224	Cap screw
228	Hex nut M8
229	Wing screw
230	Hex nut M8
231	Hex bolt M8-1.25x30