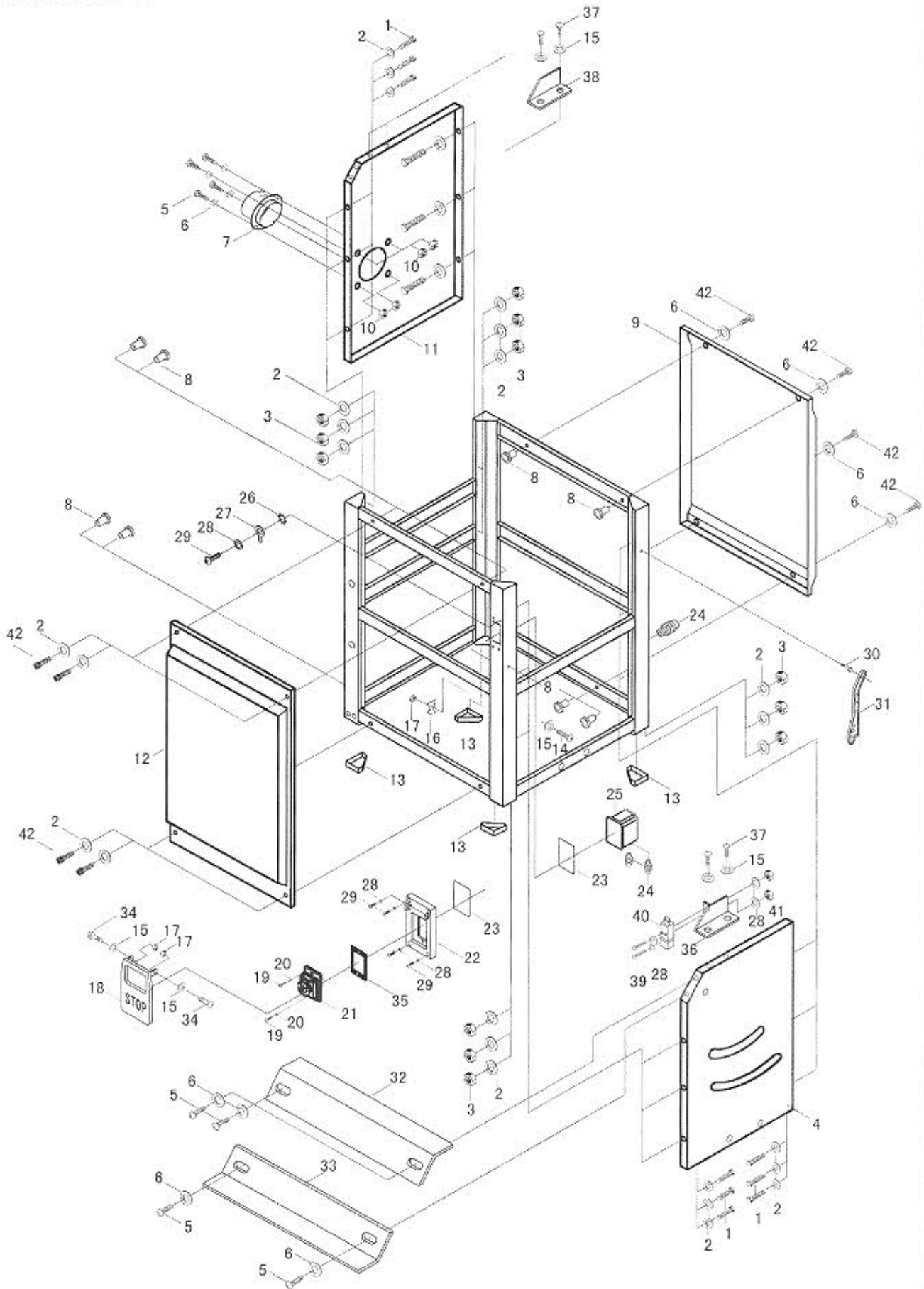


DIAGRAM A



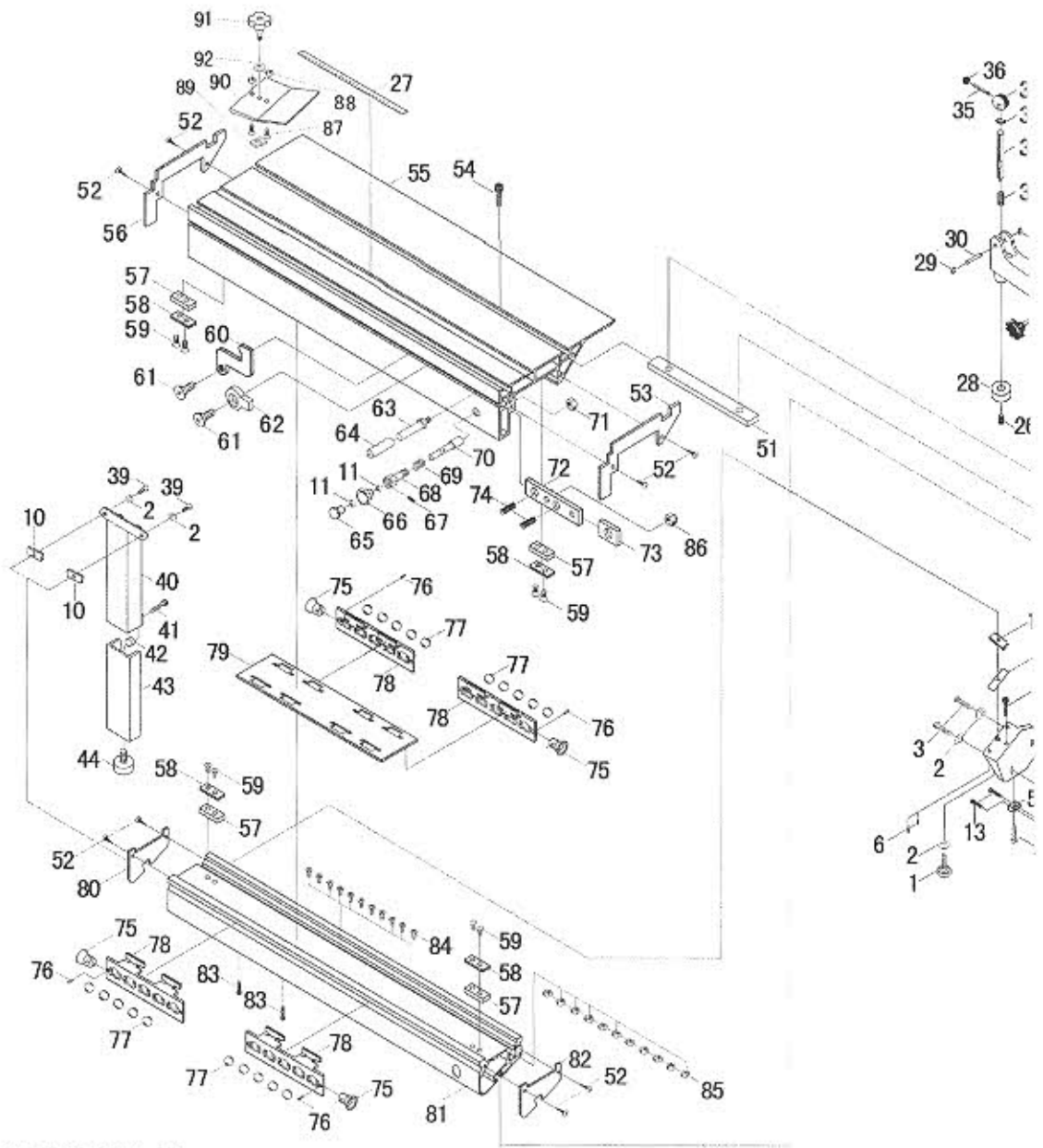


DIAGRAM C

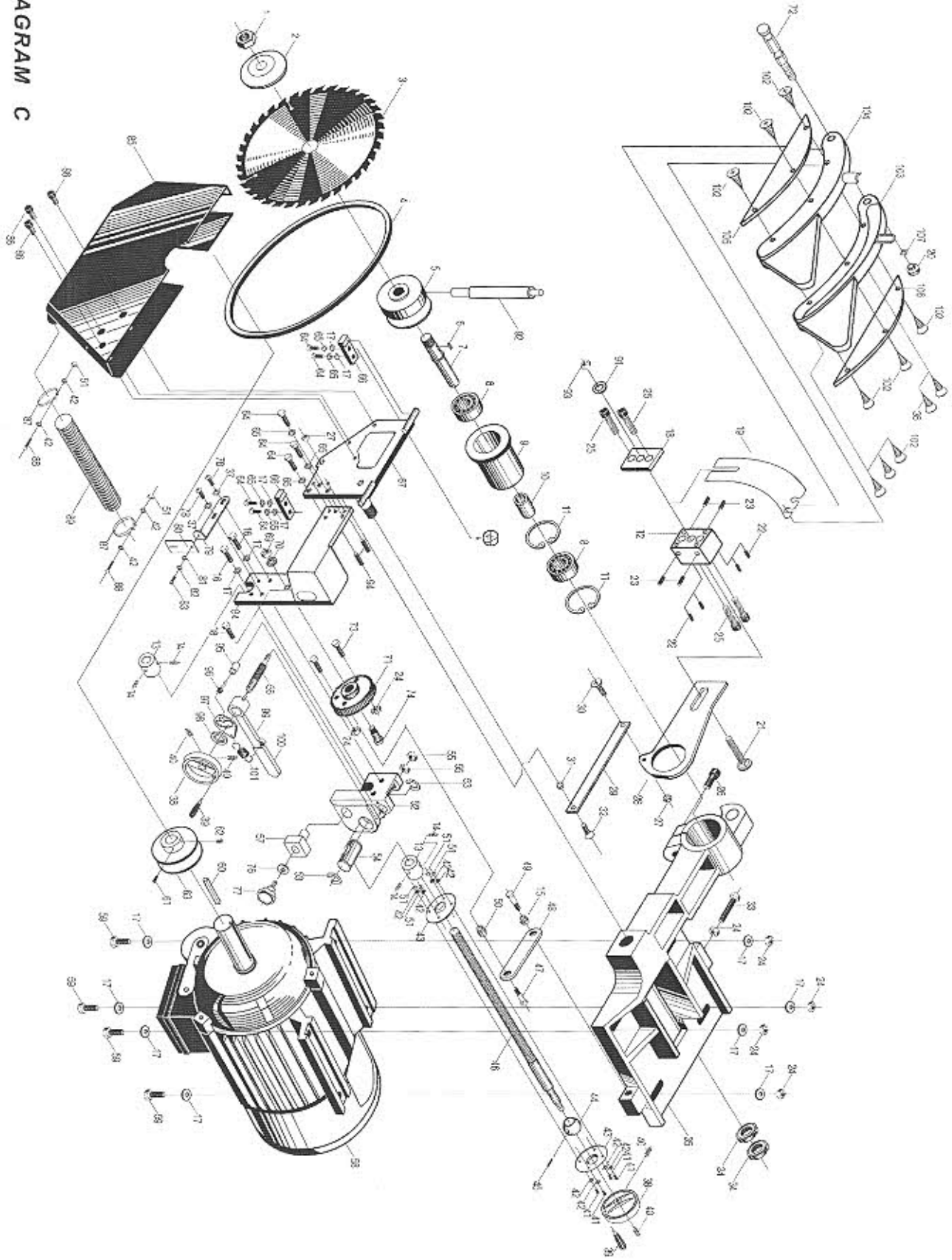


DIAGRAM D

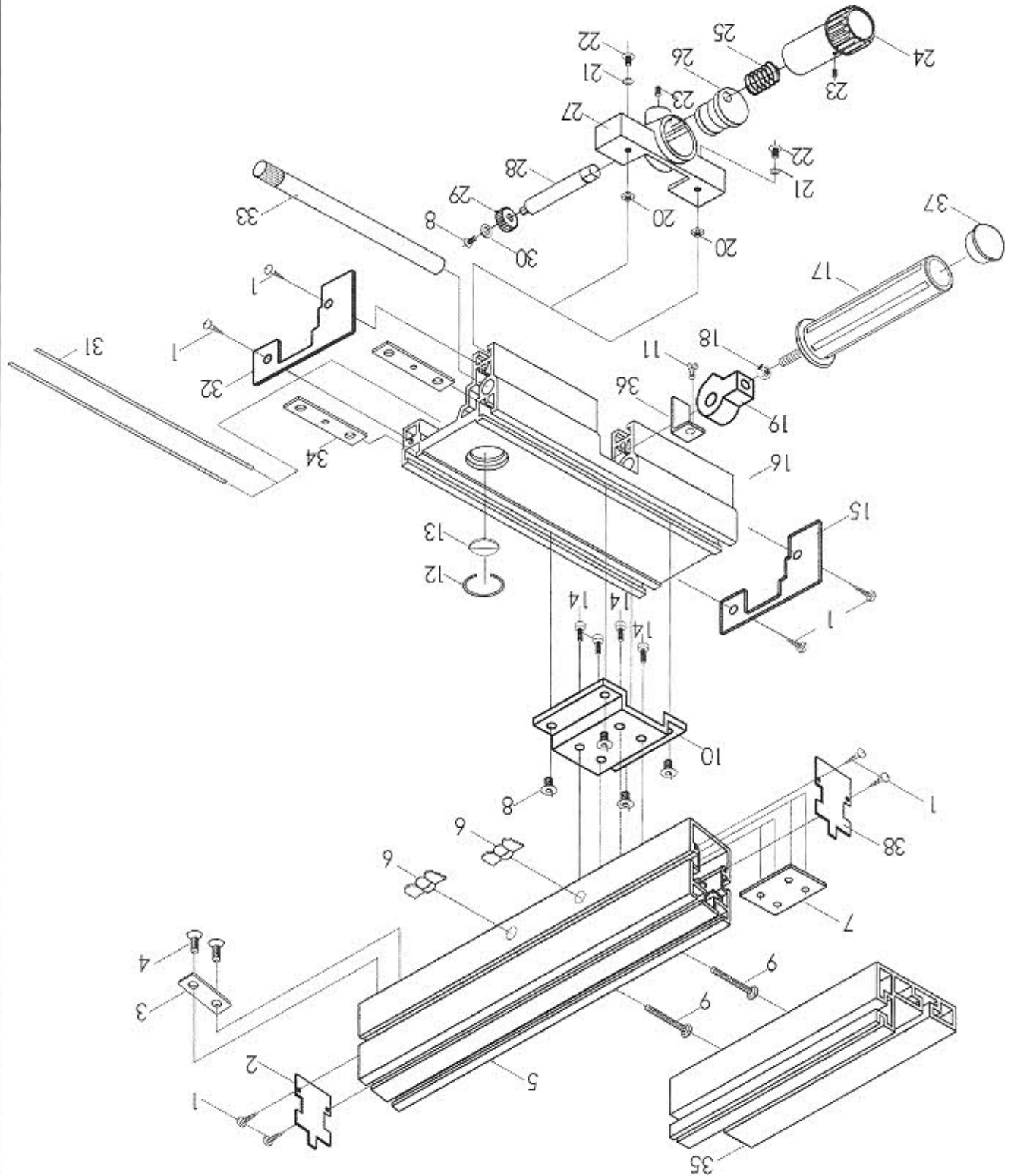


DIAGRAM E

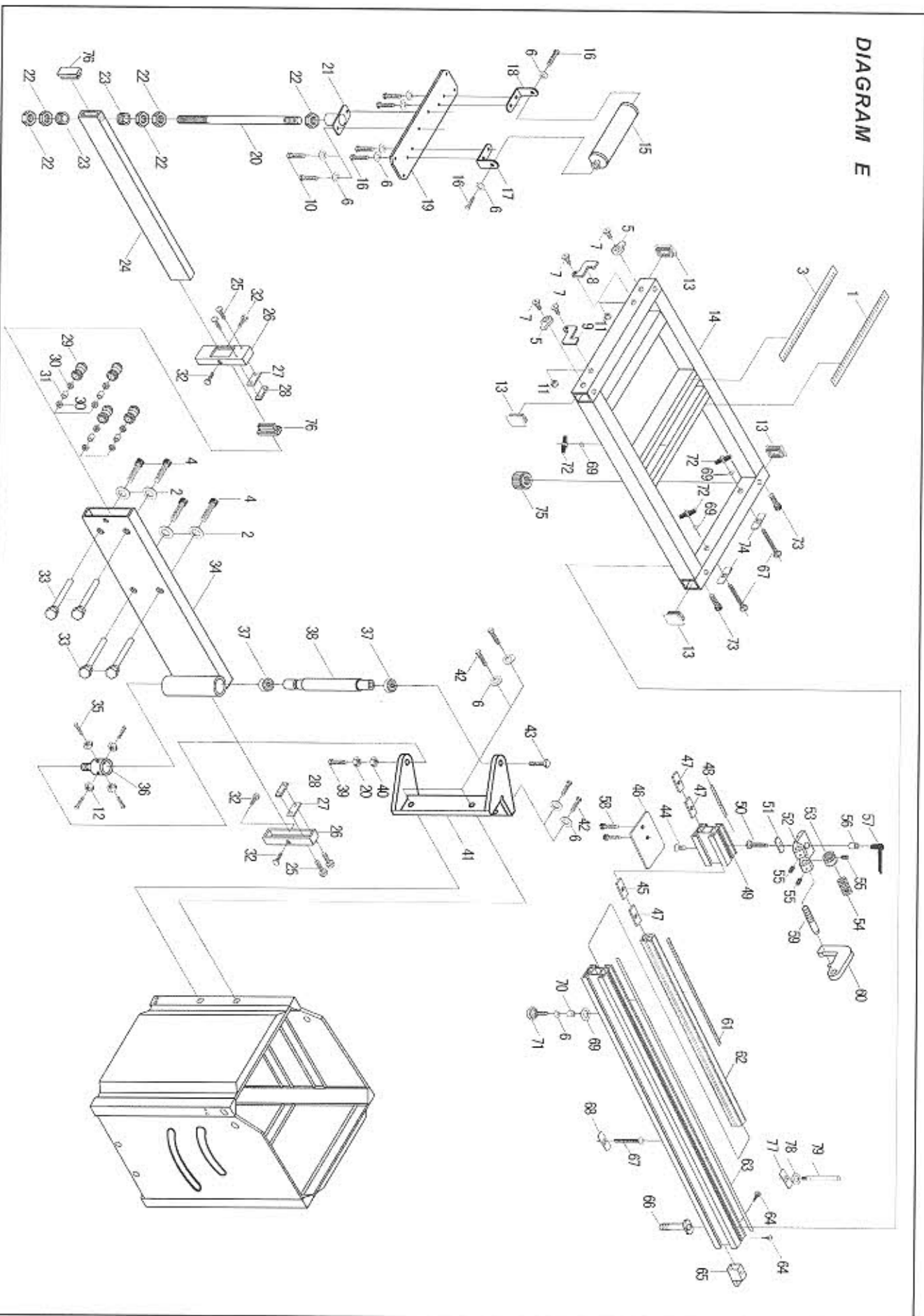
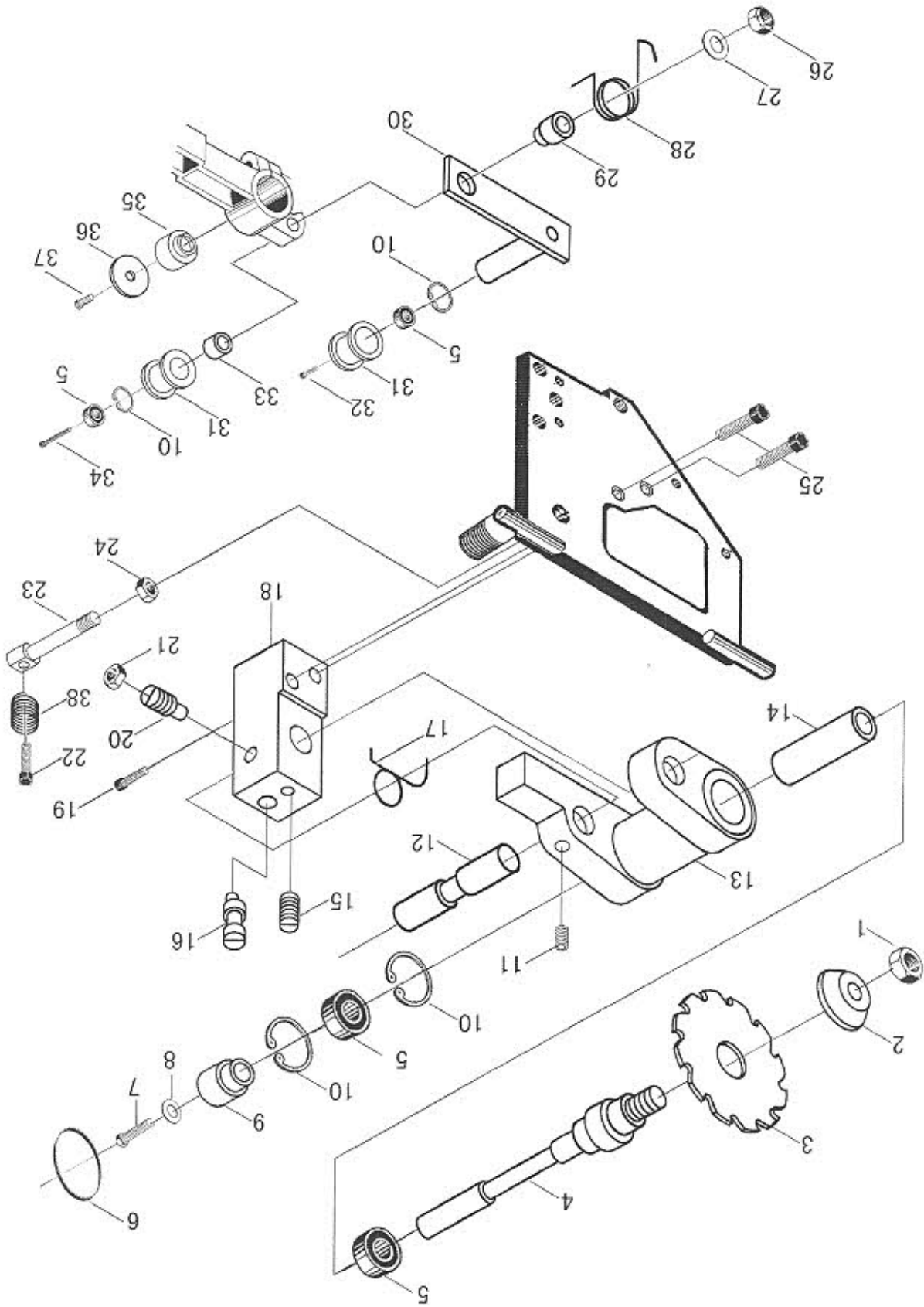


DIAGRAM F



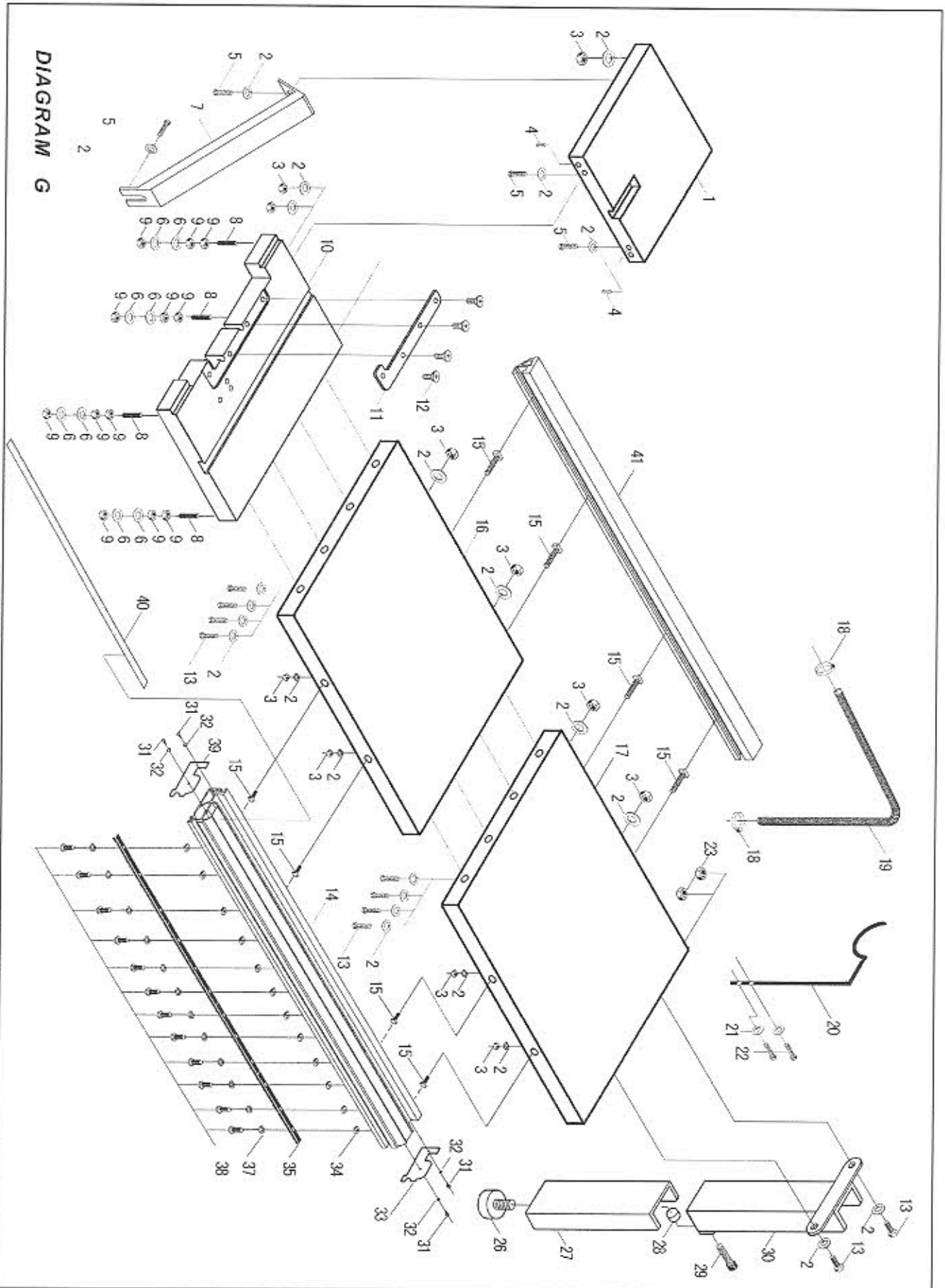
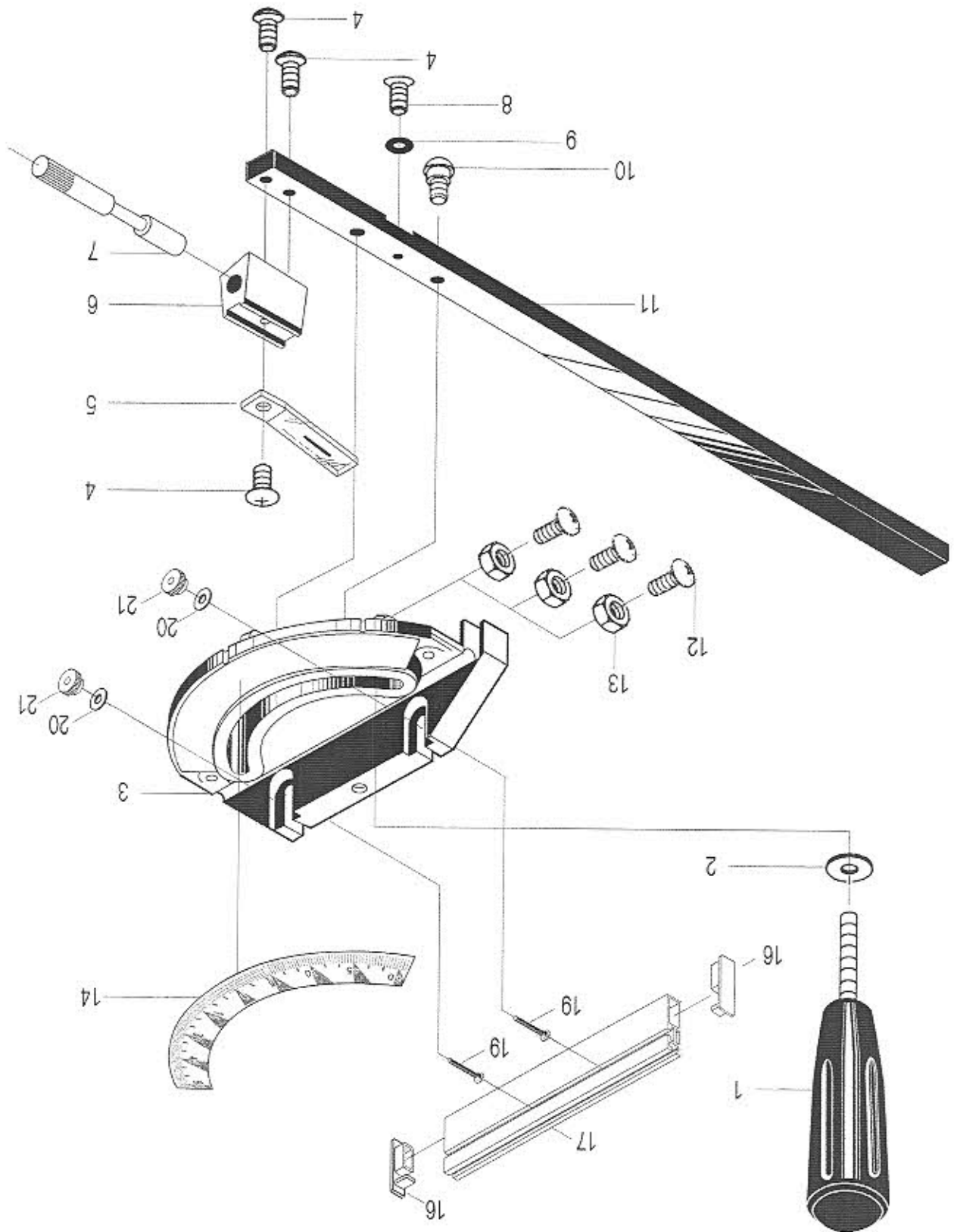


DIAGRAM H



Parts List Diagram J (optional)

| No | Description |
|------|--------------------|
| J-1 | Washer 16mm |
| J-2 | Castor |
| J-3 | Roll pin 4x30 |
| J-4 | Bracket castor |
| J-5 | Allen screw M12x50 |
| J-6 | Bracket castor |
| J-7 | Washer 10mm |
| J-8 | Hex screw M12x80 |
| J-9 | Washer 12mm |
| J-10 | Bushing bracket |
| J-11 | Support, pull rod |
| J-12 | Hex screw M10x55 |
| J-13 | Pull rod |
| J-14 | Bolt, bracket |
| J-15 | Shaft, castor |
| J-16 | Lift ring |

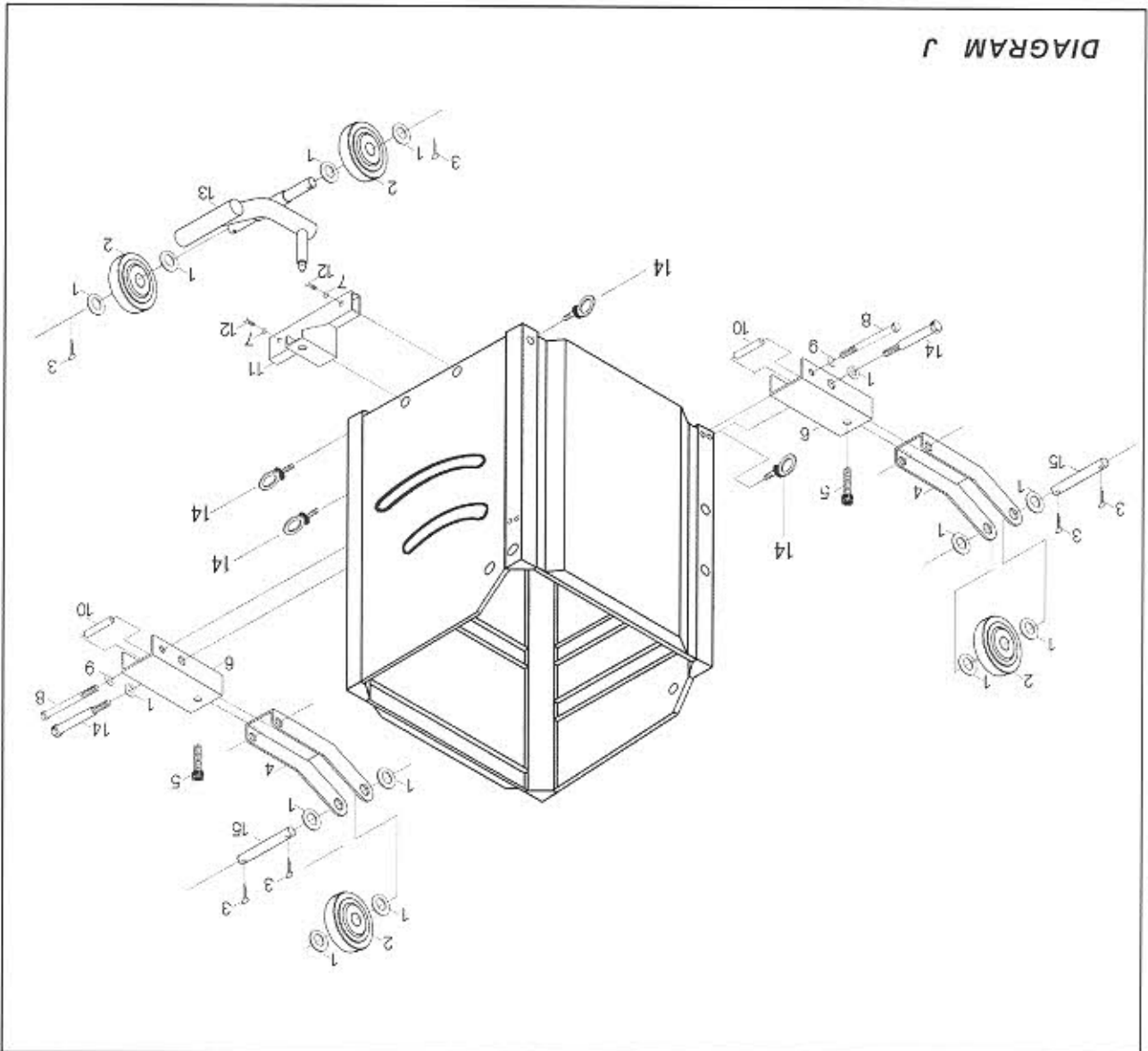


DIAGRAM J